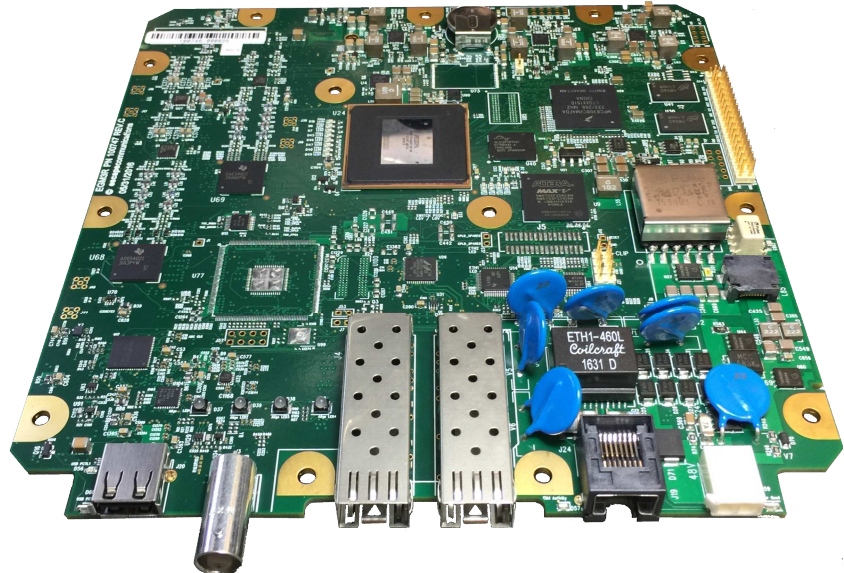


### Value Proposition

- All-digital software-defined modem
- 3 Gbps full-duplex coded data rate
- Compatible with ETSI 500 MHz channel spacing
- Fast product time-to-market when paired with 3<sup>rd</sup> party plug-and-play RF module and housing

### Applications

- E-band and V-band wireless point-to-point communications
- 5G, LTE, WiMAX and HSDPA+ wireless backhaul
- Large-cell and small-cell backhaul
- Private networks and campus connectivity
- Fiber extensions and replacements
- High-definition video surveillance and monitoring
- Triple-play (voice, data and video) transmission
- Government and campus building interconnection
- Critical infrastructure protection
- Public safety applications



### **All-Digital 3 Gbps 500 MHz Modem Module**

Escape Communications' ESM-5008 is a high-capacity, all-digital modem module specifically designed for compatibility with the European 250 and 500 MHz channel allocations for the 60, 70, and 80 GHz mm-wave E-band and V-band markets.

The ESM-5008 provides up to 2.7 Gbps full-duplex user data links using 256QAM modulation in a 500 MHz channel. The ESM-5008 includes a powerful microprocessor, power-over-Ethernet, 1GigE and 10GigE customer interfaces, analog I/Q baseband interfaces, as well as control and status interfaces to/from RF electronics.

Assembling a complete point-to-point mm-wave radio is as simple as pairing the ESM-5008b modem module with a mm-wave transceiver and a weather-tight enclosure.

### **Features**

High user data throughput to up to 2.7 Gbps full duplex

1 and 10 Gigabit Ethernet customer interfaces (copper and optical)

Meets ETSI 500 MHz channel spacing

Configurable QPSK thru 256QAM modulation with Adaptive Coding and Modulation (ACM)

Configurable FEC and fully synthesized transmit waveform

HTTP web GUI, telnet and SNMP for network management and control

Integrated Layer-2 switch supporting

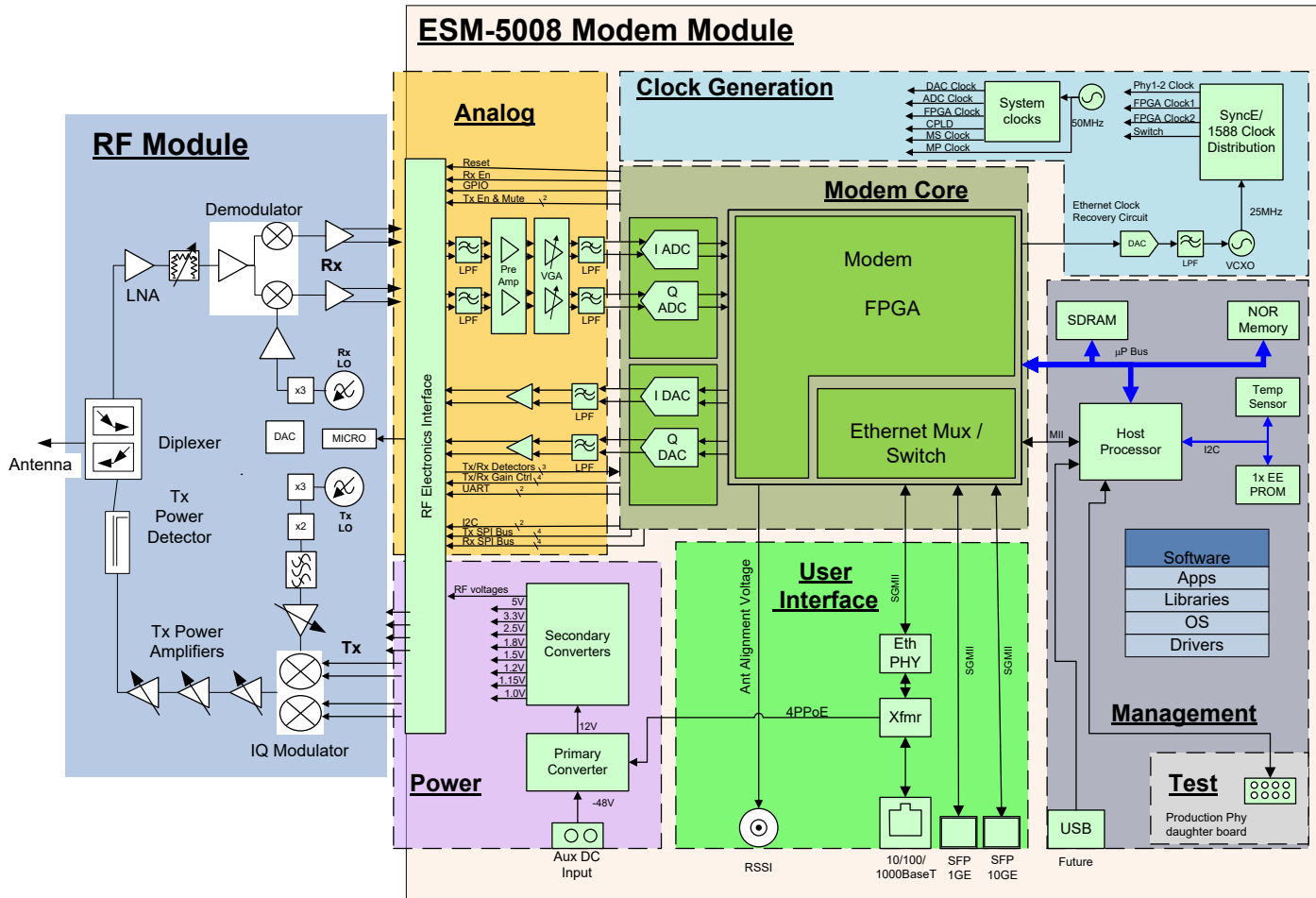
- In-band terminal management for 1 and 10 Gigabit Ethernet modes
- Jumbo frame support
- IEEE 1588v2 (TC) and Sync-E

4PPoE Power over Ethernet (path to 802.3bt compliance)

7 inch x 7 inch board designed for outdoor environment use

Available with 3<sup>rd</sup> party RF and chassis design for a fully functional kit to accelerate time to market

All-Digital 3 Gbps 500 MHz Modem Module



escapecommunications  
 2790 Skypark Drive, Ste 203  
 Torrance, CA 90505, USA  
 info@escapecom.com  
[www.escapecom.com](http://www.escapecom.com)  
 +1-310-997-1300