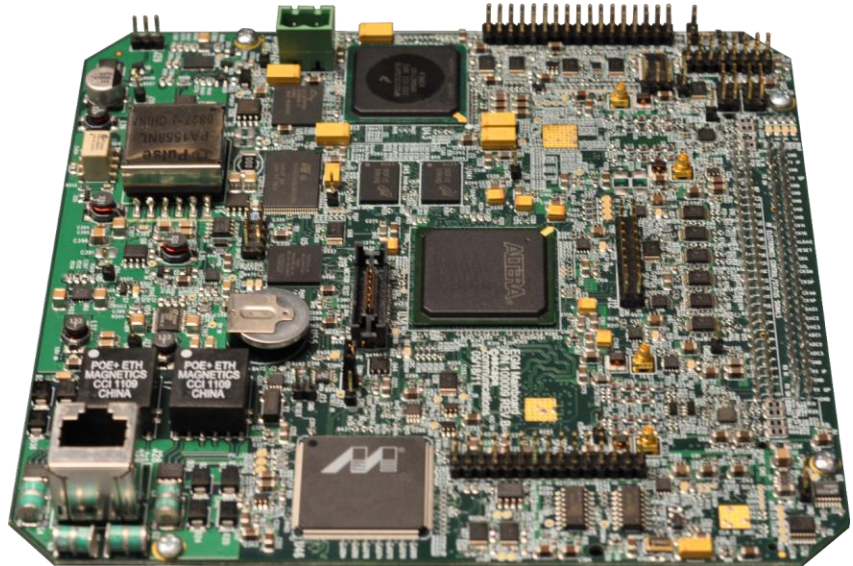


### Value Proposition

- All-digital Gigabit Ethernet modem
- 1 Gbps full-duplex data rate
- Compatible with ETSI 250 MHz channel spacing for 60, 70, and 80 GHz mm-wave bands

### Applications

- V-band and E-band wireless communications
- LTE, WiMAX and HSDPA+ wireless backhaul
- Private networks and campus connectivity
- Fiber extensions and replacements
- High definition video surveillance and monitoring
- Triple-play (voice, data and video) transmission
- Government and campus building interconnection
- Critical infrastructure protection
- Public safety applications



### **All-Digital Gigabit Ethernet 250 MHz Modem Module**

Escape Communications' Gigaband-II™ ESM-2506 modem module is the world's first all-digital GbE single chip modem specifically designed for compatibility with the European 250 MHz channel allocations for the 60, 70, and 80 GHz mm-wave V- and E-band markets.

The ESM-2506 is an all-digital, high data rate modem that can provide a full 1 Gbps full-duplex GbE data using 64QAM modulation in a 250 MHz ETSI channel. The modem board includes a powerful microprocessor, power-over-Ethernet and GbE customer interface, and analog I/Q baseband interfaces to RF electronics.

Assembling a complete point-to-point mm-wave radio is as simple as pairing the ESM-2506 modem module with a mm-wave transceiver and a waterproof enclosure.

### **Features**

High data throughput to 1000 Mbps full duplex

Gigabit Ethernet customer interface

Meets ETSI 250 MHz channel spacing

Configurable BPSK thru 64QAM modulation

Configurable FEC and fully synthesized transmit waveform

Layer-2 GbE switch supporting

- In-band terminal management
- Ethernet flow control
- Jumbo frames

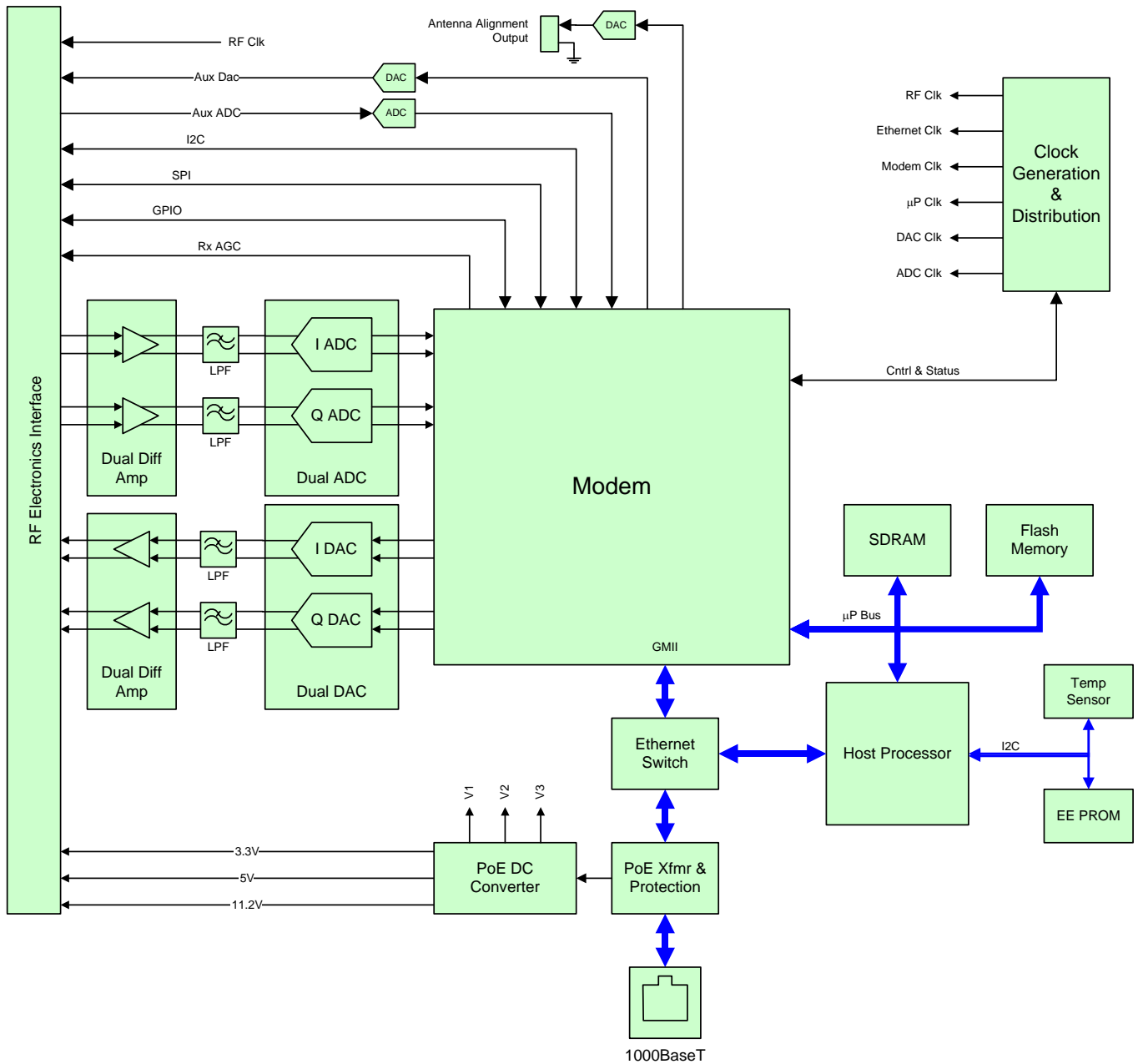
SyncE frequency synchronization supports mobile backhaul applications

HTTP web GUI, telnet and SNMP for network management and control

802.11at Power over Ethernet (PoE+)

6.26 inch x 6.26 inch board designed for outdoor environment use

### Functional Block Diagram



**escapecommunications**  
 2790 Skypark Drive, Ste 203  
 Torrance, CA 90505, USA  
 info@escapecom.com  
[www.escapecom.com](http://www.escapecom.com)  
 +1-310-997-1300