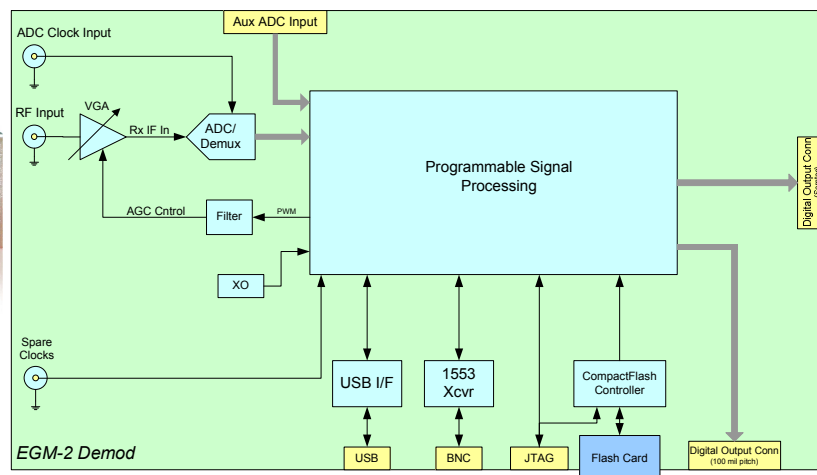


EGM-2™ Flexible Multi-Gigabit Demodulator



- Highly integrated demodulator accommodates data rates up to 3 Gbps
 - ✓ All-digital implementation requires no tuning
 - ✓ High reliability
- Flexible multi-mode, multi-rate architecture supports wide range of bandwidths and modulation types
 - ✓ Programmable symbol rates from 1 Msym/s to 600 Msym/s
 - ✓ Programmable modulation modes include BPSK, (O)QPSK, 8-PSK, 16-APSK and 32-APSK
- Signal processing features include:
 - ✓ Coherent demodulation with configurable rate-matched filter
 - ✓ 33-tap fractional-spaced adaptive equalization
 - ✓ Digital tuner and filter to extract signal-of-interest from input spectrum
- FPGA-based signal processing allows rapid modification to meet customer unique requirements
- FIFO-based back-end accommodates asynchronous data interfaces to/from line interface hardware
 - ✓ Soft and hard-decision outputs available
- On-board RF input VGA accommodates 30 dB input power range
- Includes MIL-STD-1553 interface
- Graphical user interface accessed via front panel USB provides extensive control and status information
 - ✓ Includes advanced diagnostics and self-test capabilities
- 110/220 VAC power

Escape Communications' EGM-2™ Gigabit Demod is a versatile high-capacity all-digital demodulator solution targeting the space communications market.

The EGM-2™ Gigabit Modem provides flexibility in a highly integrated low-cost 2RU rackmount design. It provides BPSK to 32-APSK operation supporting arbitrary data rates between 1 Mbps and 3 Gbps.

The EGM-2™ is available for demonstration and evaluation now.

A second generation of the product is in development, supporting symbol rates to 1 Gsym/s and remote web-based management.

escapecommunications

2790 Skypark Dr., Ste 203
Torrance, CA 90505
www.escapecom.com
+1-310-997-1300

Escape is a provider of leading-edge broadband, wideband, and gigaband modem technologies.